



**The Name for
Attenuators**

ACCESSORIES DIRECTIONAL COUPLERS DC Series

Alan Industries' Three Port Bi-Directional Couplers are excellent devices for monitoring incident and reflected power. The use of a directional coupler between transmission lines will allow the user to tap the electrical energy in order to measure or monitor the directional power flow. These devices are actually four port devices wherein the fourth port is terminated internally. This termination will withstand open or short conditions occurring on the main arm at 5 Watts input.



Alan

Industries, Inc.

745 Greenway Drive • Columbus, Indiana 47201 • USA
800-423-5190 or 812-372-8869 • Fax: 812-372-5909
www.alanindustries.com • sales@alanindustries.com



**The Name for
Attenuators**

DC Series

ELECTRICAL SPECIFICATIONS

MODEL	50DC10	50DC15	50DC20
COUPLING	10 dB Coupling	15 dB Coupling	20 dB Coupling
FREQUENCY RANGE	10 - 1000 MHz	5 - 1000 MHz	10 - 1000 MHz
COUPLING TOLERANCE	10 - 50 MHz: ± 0.5 dB 10 - 1000 MHz: ± 0.5 dB 50 - 500 MHz: ± 0.5 dB	5 - 1000 MHz: ± 1.0 dB 10 - 500 MHz: ± 1.0 dB	10 - 1000 MHz: ± 1.0 dB 10 - 500 MHz: ± 1.0 dB
FREQUENCY SENSITIVITY	10 - 50 MHz: ± 0.5 dB 10 - 1000 MHz: ± 0.5 dB 50 - 500 MHz: ± 0.5 dB	5 - 1000 MHz: ± 0.75 dB 10 - 500 MHz: ± 0.75 dB	10 - 1000 MHz: ± 1.0 dB 10 - 500 MHz: ± 1.0 dB
INSERTION LOSS	10 - 50 MHz: 1.0 dB 10 - 1000 MHz: 1.0 dB 50 - 500 MHz: 1.0 dB	5 - 1000 MHz: 1.0 dB 10 - 500 MHz: 1.0 dB	10 - 1000 MHz: 1.5 dB 10 - 500 MHz: 1.5 dB
SWR MAIN ARM	10 - 50 MHz: 1.5:1 10 - 1000 MHz: 1.5:1 50 - 500 MHz: 1.3:1	5 - 1000 MHz: 1.3:1 10 - 500 MHz: 1.2:1	10 - 1000 MHz: 1.35:1 10 - 500 MHz: 1.3:1
SWR COUPLED ARM	10 - 50 MHz: 1.5:1 10 - 1000 MHz: 1.5:1 50 - 500 MHz: 1.3:1	5 - 1000 MHz: 1.5:1 10 - 500 MHz: 1.3:1	10 - 1000 MHz: 1.35:1 10 - 500 MHz: 1.3:1
AVERAGE POWER	5 Watts		
CONNECTORS	BNC, N, or SMA Female		
IMPEDANCE	50 Ohms		
RoHS COMPLIANCE	RoHS Compliant upon request		

TO ORDER SPECIFY: Impedance, Category (DC), dB Coupling and Connector type.
For example, to order a 50 Ohm Directional Coupler with 10 dB Coupling, order Alan Model 50DC10 SMA

Alan

Industries, Inc.

745 Greenway Drive • Columbus, Indiana 47201 • USA
800-423-5190 or 812-372-8869 • Fax: 812-372-5909
www.alanindustries.com • sales@alanindustries.com

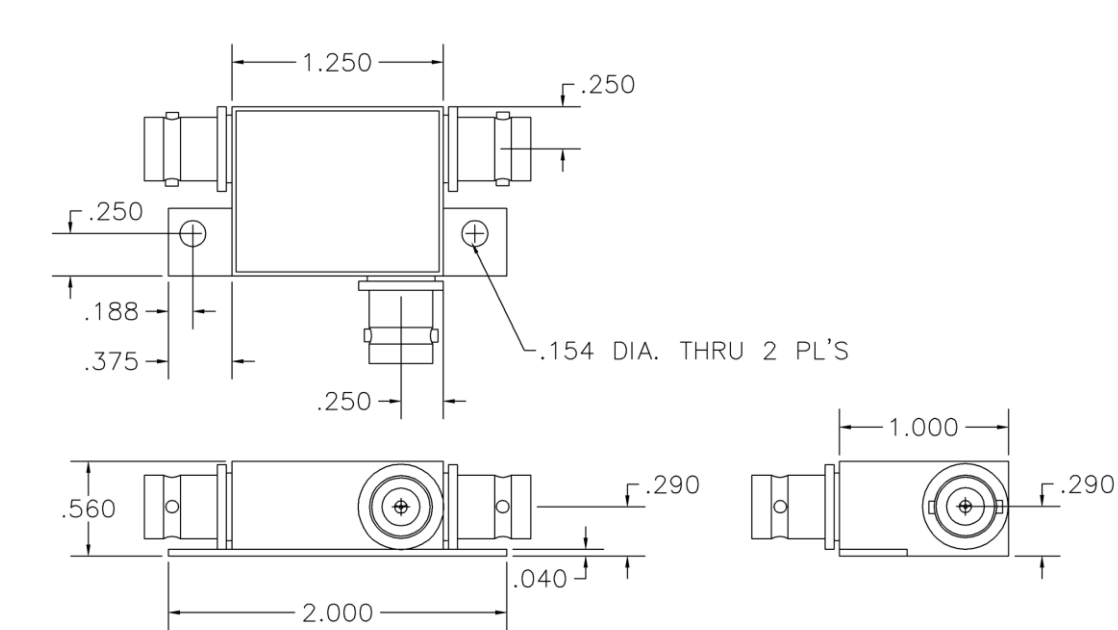


The Name for
Attenuators

DC Series

PHYSICAL DIMENSIONS

BNC Connectors



Alan

Industries, Inc.

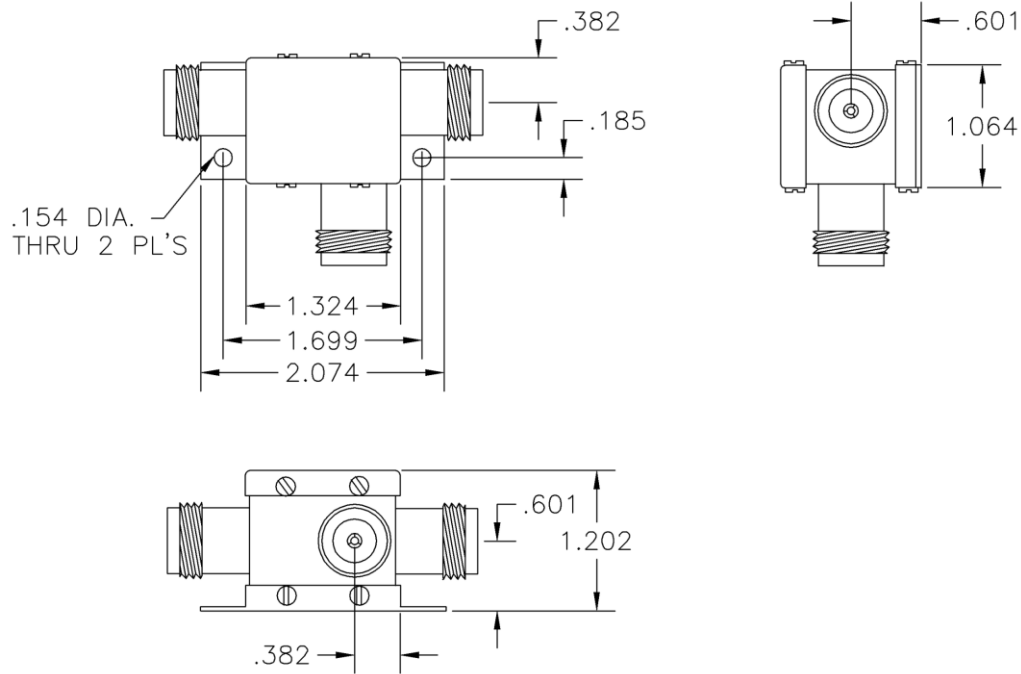
745 Greenway Drive • Columbus, Indiana 47201 • USA
800-423-5190 or 812-372-8869 • Fax: 812-372-5909
www.alanindustries.com • sales@alanindustries.com



**The Name for
Attenuators**

DC Series

N Connectors



Alan

Industries, Inc.

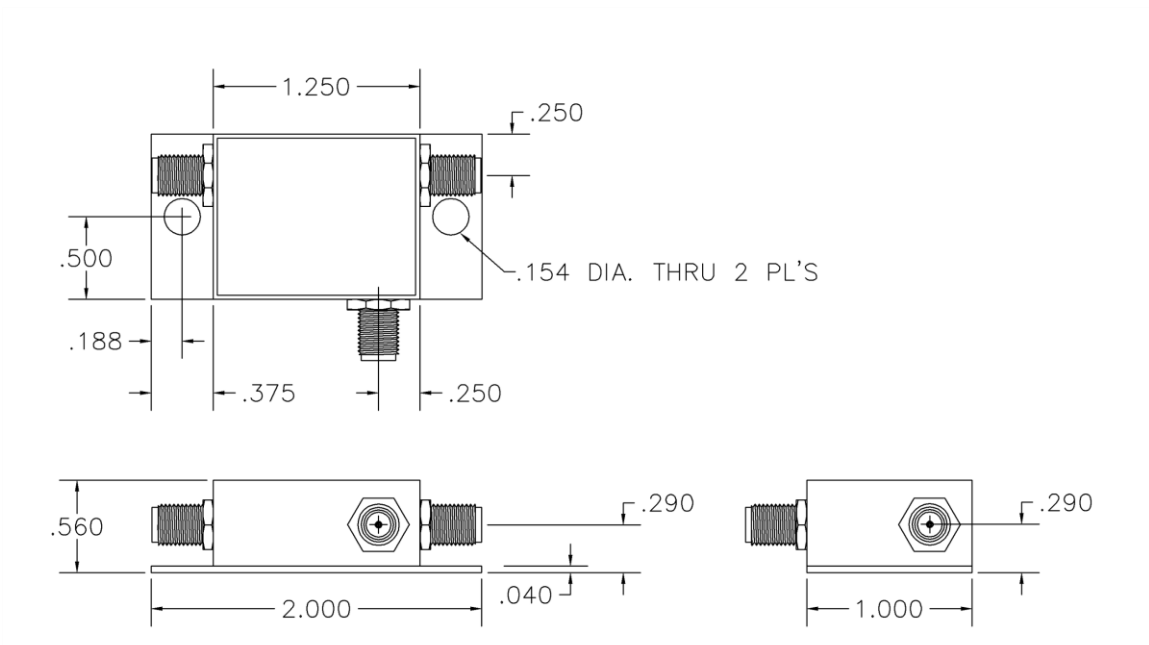
745 Greenway Drive • Columbus, Indiana 47201 • USA
800-423-5190 or 812-372-8869 • Fax: 812-372-5909
www.alanindustries.com • sales@alanindustries.com



**The Name for
Attenuators**

DC Series

SMA Connectors



Alan

Industries, Inc.

745 Greenway Drive • Columbus, Indiana 47201 • USA
800-423-5190 or 812-372-8869 • Fax: 812-372-5909
www.alanindustries.com • sales@alanindustries.com