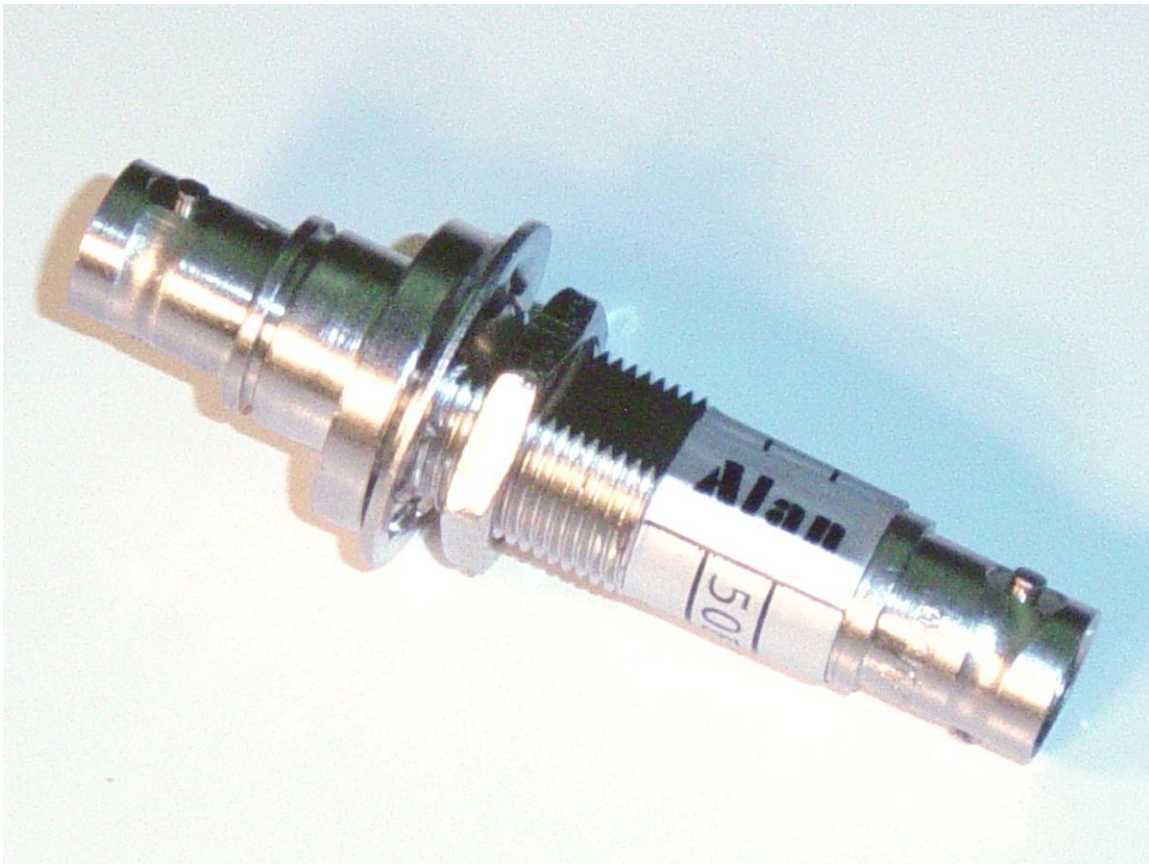




**The Name for
Attenuators**

ACCESSORIES PANEL MOUNT FUSE 712 Series

Alan Industries' 50FL-712 is a panel mount Precision RF Fuse designed for easy replacement of the fuse element. This RF Fuse protects attenuators and other devices sensitive to DC and RF Power from accidental burnout. Should a power surge cause a fuse breakdown, the unique construction of this unit allows the fuse element to be replaced from the front panel without removing the fuse housing.



Alan
Industries, Inc.

745 Greenway Drive • Columbus, Indiana 47201 • USA
800-423-5190 or 812-372-8869 • Fax: 812-372-5909
www.alanindustries.com • sales@alanindustries.com



**The Name for
Attenuators**

712 Series

ELECTRICAL SPECIFICATIONS

MODEL	50FL16-712	50FL8-712	50FL4-712
FREQUENCY RANGE	DC - 1000 MHz		
IMPEDANCE	50 Ohms		
MAXIMUM SWR	1.5:1		
BREAKDOWN POINT	+23 dBm	+29 dBm	+35 dBm
INSERTION LOSS	2 dB	1.6 dB	1.6 dB
CONNECTORS	Female BNC, SMA, or TNC		
FUSE ELEMENTS	Model CC-002	Model CC-001	Model CC-006
RoHS COMPLIANCE	RoHS Compliant upon request		

TO ORDER SPECIFY: Impedance, Category (FL-712), Fusing Level, and type of connector. For example, to order a 50 Ohm unit with a breakdown point of +29 dBm, BNC connectors, order Alan Model 50FL8-712 BNC.

Alan

Industries, Inc.

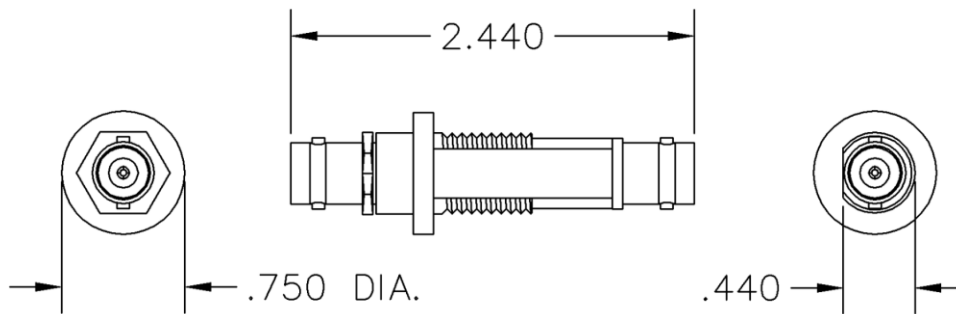
745 Greenway Drive • Columbus, Indiana 47201 • USA
800-423-5190 or 812-372-8869 • Fax: 812-372-5909
www.alanindustries.com • sales@alanindustries.com



**The Name for
Attenuators**

712 Series

PHYSICAL DIMENSIONS



MOUNTING HARDWARE SUPPLIED

CONNECTOR TYPE	A
BNC FEMALE	2.440
TNC FEMALE	2.440
SMA FEMALE	2.390

Alan

Industries, Inc.

745 Greenway Drive • Columbus, Indiana 47201 • USA
800-423-5190 or 812-372-8869 • Fax: 812-372-5909
www.alanindustries.com • sales@alanindustries.com