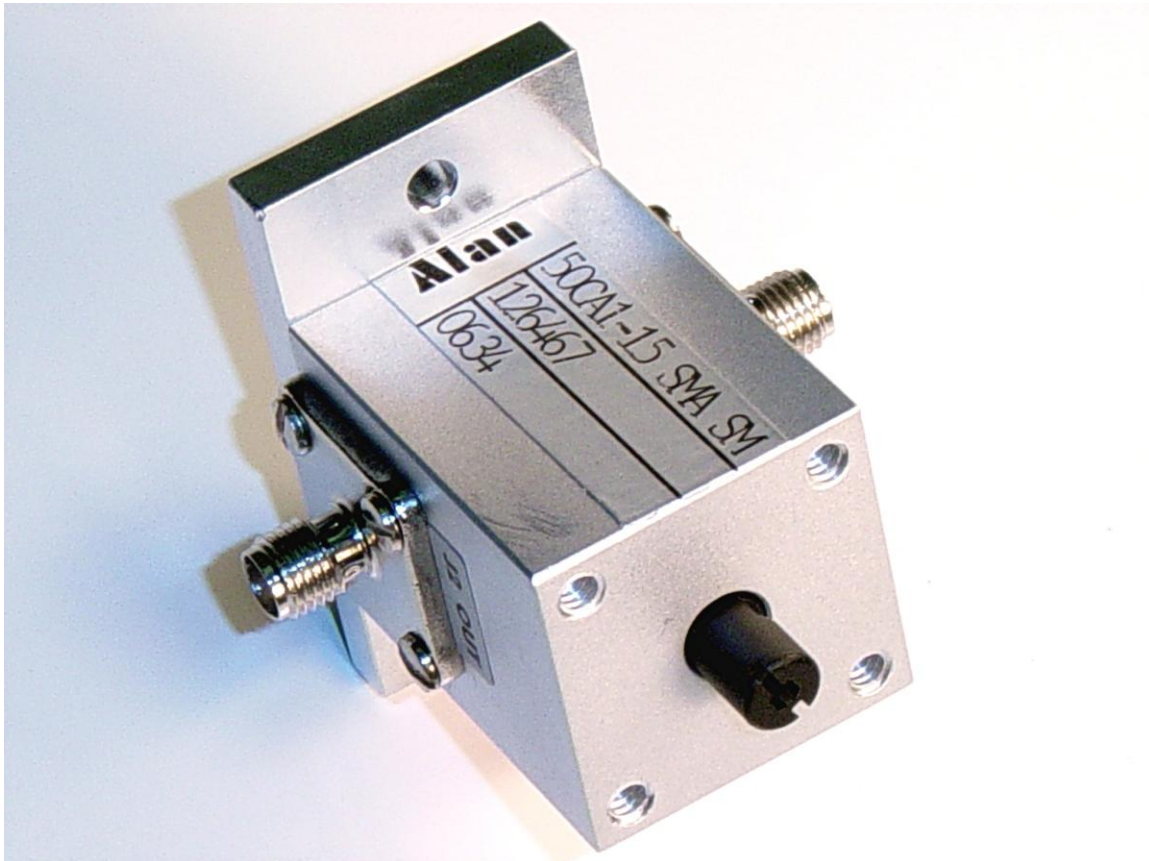




**The Name for
Attenuators**

CONTINUOUSLY VARIABLE ATTENUATORS DC – 1 GHz CA Series

Alan Model 50CA1-15 Continuously Variable Attenuator provides accurate attenuation, dependable operation and small size over the DC – 1 GHz bandwidth. Attenuation drive is made via screwdriver adjustment.



Alan

Industries, Inc.

745 Greenway Drive • Columbus, Indiana 47201 • USA
800-423-5190 or 812-372-8869 • Fax: 812-372-5909
www.alanindustries.com • sales@alanindustries.com



**The Name for
Attenuators**

CA Series

ELECTRICAL SPECIFICATIONS

MODEL	50CA1-15
ATTENUATION RANGE	0 - 15 dB
FREQUENCY RANGE	DC – 1 GHz
IMPEDANCE	50 Ohms
SWR MAXIMUM	DC - 500 MHz: 1.5:1 500 - 1000 MHz: 2.3:1
INSERTION LOSS MAX.	DC - 500 MHz: 0.5 dB 500 - 1000 MHz: 1.0 dB
POWER	0.25 Watt
CONNECTORS	BNC , N, SMA, TNC Female
RESETTABILITY	0.2 dB
DRIVE	Screwdriver adjustment
MOUNTING OPTIONS	Surface Mount or Panel Mount
RoHS COMPLIANCE	RoHS Compliant upon request

TO ORDER SPECIFY: Model number as appears above. Add connector type and SM (surface mount) or PM (panel mount). For example to order a unit with BNC connectors, and surface mount; order Model 50CA1-15 BNC SM.

Alan

Industries, Inc.

**745 Greenway Drive • Columbus, Indiana 47201 • USA
800-423-5190 or 812-372-8869 • Fax: 812-372-5909
www.alanindustries.com • sales@alanindustries.com**



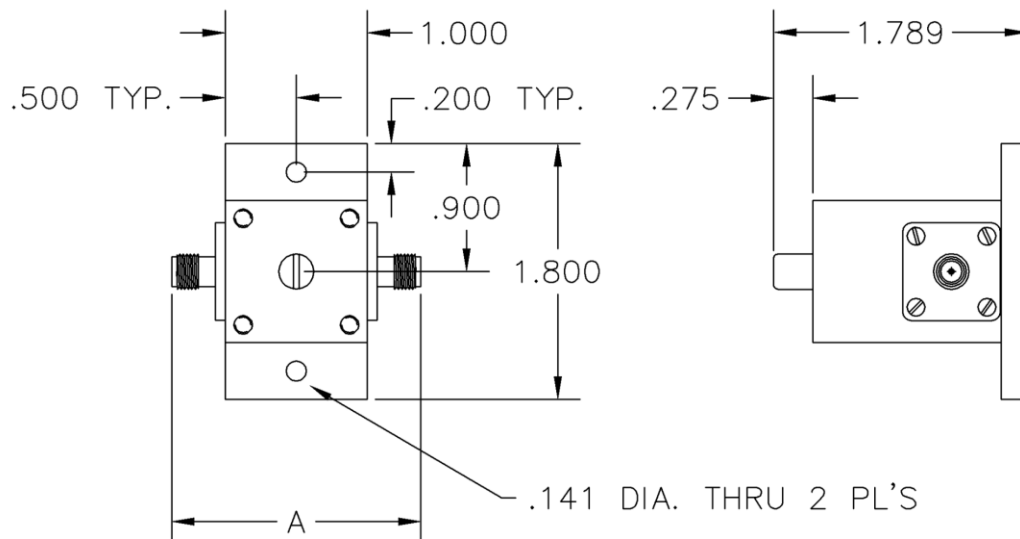
The Name for
Attenuators

CA Series

PHYSICAL DIMENSIONS

Model 50CA1-15(Connector) SM
Surface Mount

Connector	A
BNC Female	2.420
N Female	2.940
SMA Female	1.750
TNC Female	2.430



Alan

Industries, Inc.

745 Greenway Drive • Columbus, Indiana 47201 • USA
800-423-5190 or 812-372-8869 • Fax: 812-372-5909
www.alanindustries.com • sales@alanindustries.com



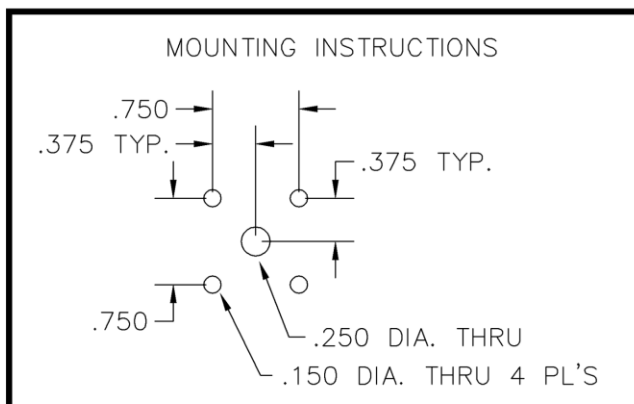
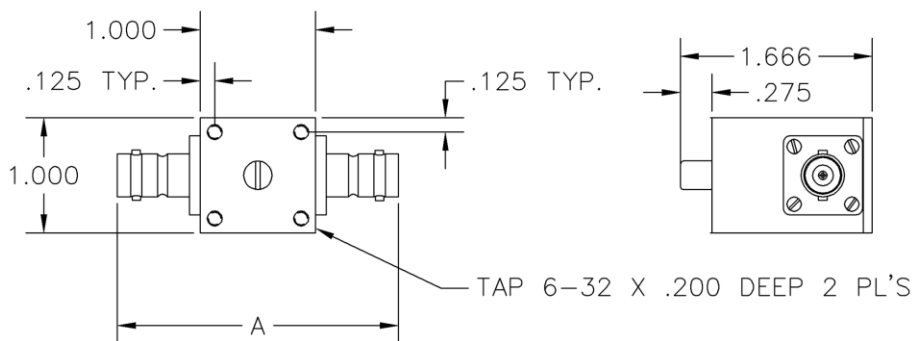
**The Name for
Attenuators**

CA Series

PHYSICAL DIMENSIONS

**Model 50CA1-15(Connector) PM
Panel Mount**

Connector	A
BNC Female	2.420
N Female	2.940
SMA Female	1.750
TNC Female	2.430



Alan

Industries, Inc.

745 Greenway Drive • Columbus, Indiana 47201 • USA
800-423-5190 or 812-372-8869 • Fax: 812-372-5909
www.alanindustries.com • sales@alanindustries.com