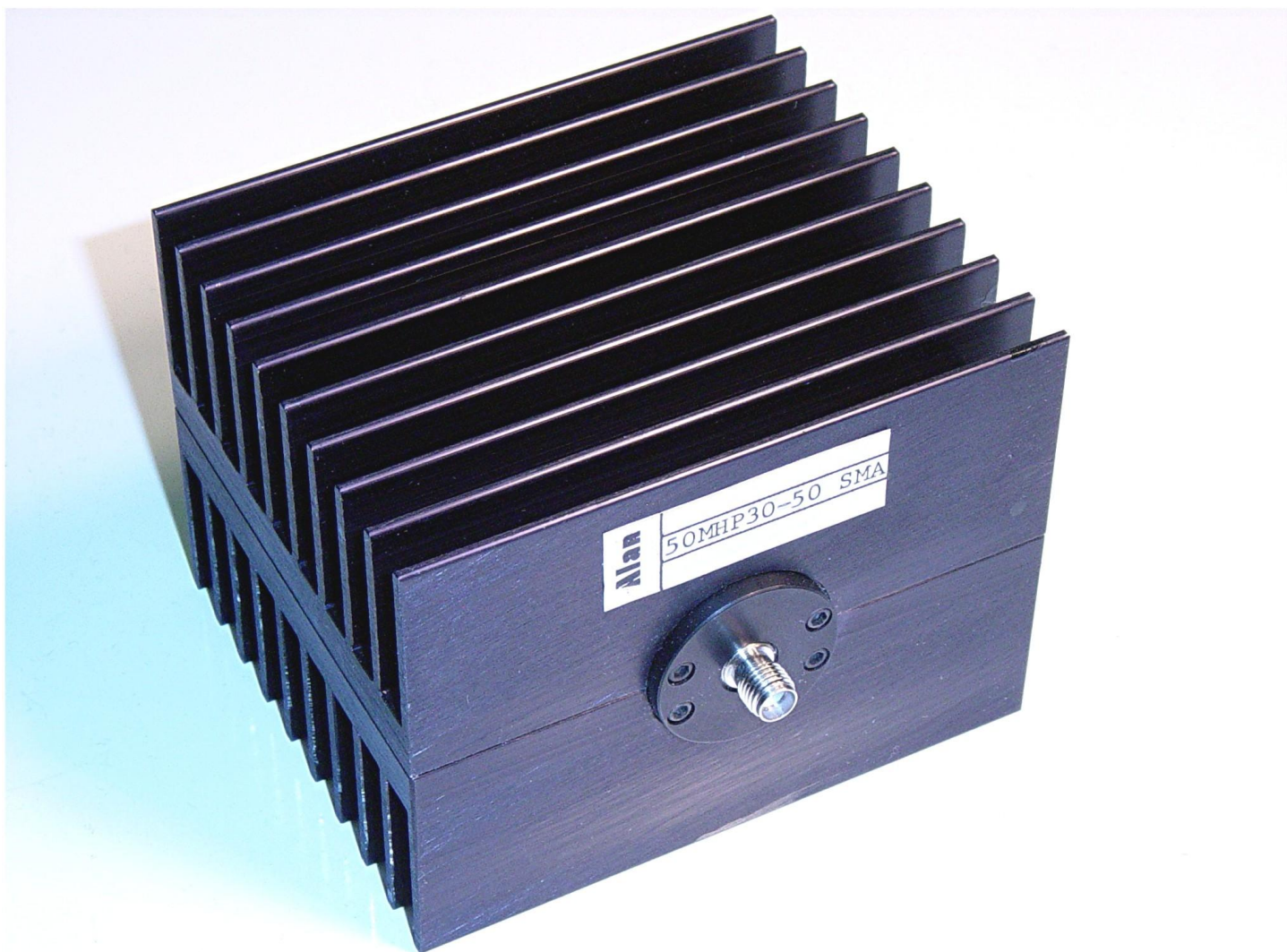




**The Name for
Attenuators**

HIGH FREQUENCY FIXED ATTENUATORS: HIGH POWER MHP Series

Alan Industries' MHP Series of Fixed Attenuators combines high power capabilities with excellent attenuation accuracy over the high frequency range of DC – 18 GHz. These units are available with average power ratings of 25 or 50 watts. Standard connection options are Male / Female Type N or SMA.



Alan

Industries, Inc.

745 Greenway Drive • Columbus, Indiana 47201 • USA
800-423-5190 or 812-372-8869 • Fax: 812-372-5909
www.alanindustries.com • sales@alanindustries.com



**The Name for
Attenuators**

25 & 50 Watt MHP Series

ELECTRICAL SPECIFICATIONS

MODEL	50MHP(dB)-25	50MHP(dB)-50
ATTENUATION VALUES	3 – 40 dB	
FREQUENCY RANGE	DC - 18 GHz	
IMPEDANCE	50 Ohm	
ACCURACY	3 - 6 dB: ± 0.8 dB 7 - 20 dB: ± 1.0 dB 21 - 30 dB: ± 1.3 dB 31 - 40 dB: ± 1.5 dB	
MAXIMUM SWR	1.5:1	
AVERAGE POWER	25 Watts	50 Watts
TEMPERATURE RANGE	-55° C to +85° C	
CONNECTORS	Male / Female N or SMA	
INPUT/OUTPUT	Unilateral	
RoHS COMPLIANCE	RoHS Compliant upon request	

TO ORDER SPECIFY: Impedance, Category (MHP), Attenuation Value, Average Power, and type of Connectors. For example, to order a 50 Ohm unit with 20 dB of attenuation, power of 25 Watts and N Connectors; order Alan Model 50MHP20-25 N.

Alan

Industries, Inc.

745 Greenway Drive • Columbus, Indiana 47201 • USA
800-423-5190 or 812-372-8869 • Fax: 812-372-5909
www.alanindustries.com • sales@alanindustries.com



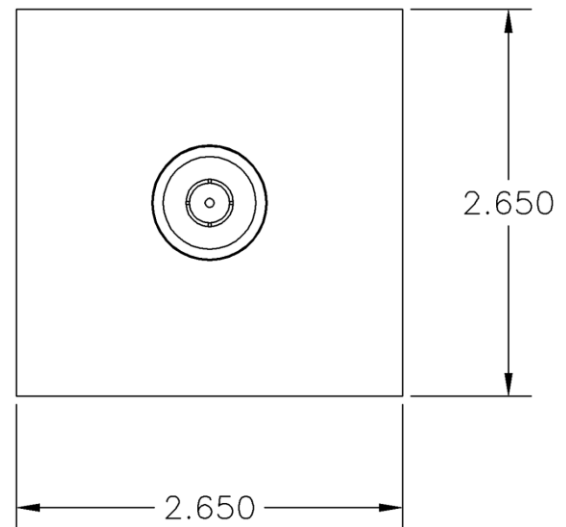
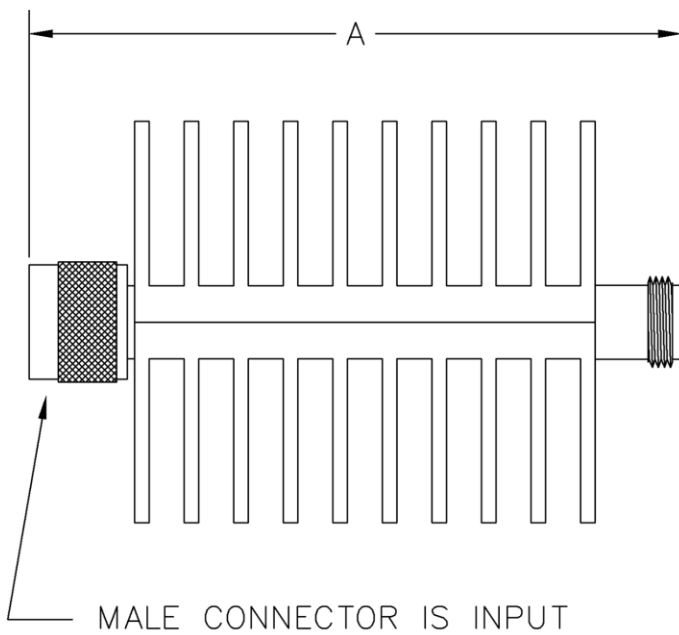
**The Name for
Attenuators**

25 & 50 Watt MHP Series

PHYSICAL DIMENSIONS

25 WATT

CONNECTOR	A
N Male / Female	4.500
SMA Male / Female	3.790



Alan
Industries, Inc.

745 Greenway Drive • Columbus, Indiana 47201 • USA
800-423-5190 or 812-372-8869 • Fax: 812-372-5909
www.alanindustries.com • sales@alanindustries.com

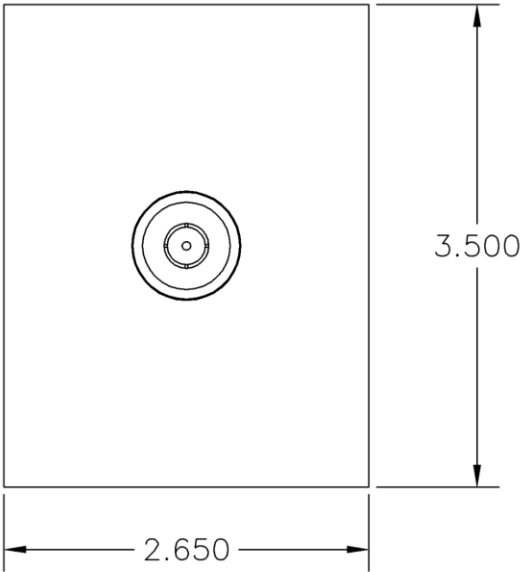
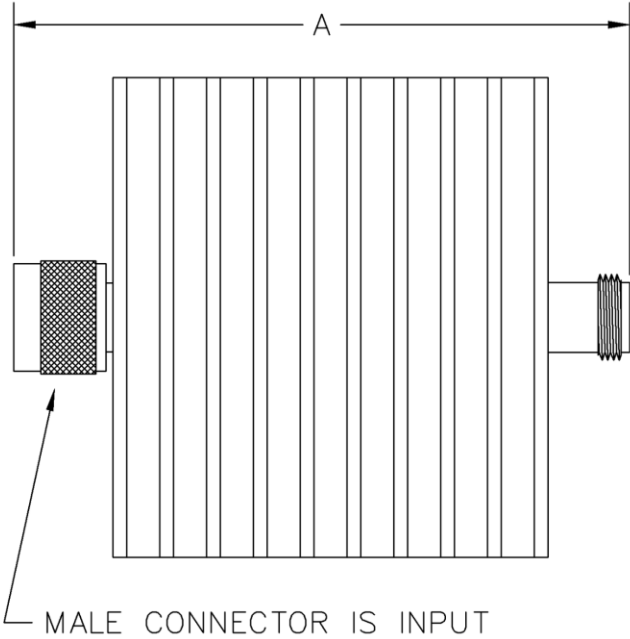


The Name for Attenuators

PHYSICAL DIMENSIONS

50 WATT

CONNECTOR	A
N Male / Female	4.500
SMA Male / Female	3.790



Alan Industries, Inc.

745 Greenway Drive • Columbus, Indiana 47201 • USA
800-423-5190 or 812-372-8869 • Fax: 812-372-5909
www.alanindustries.com • sales@alanindustries.com