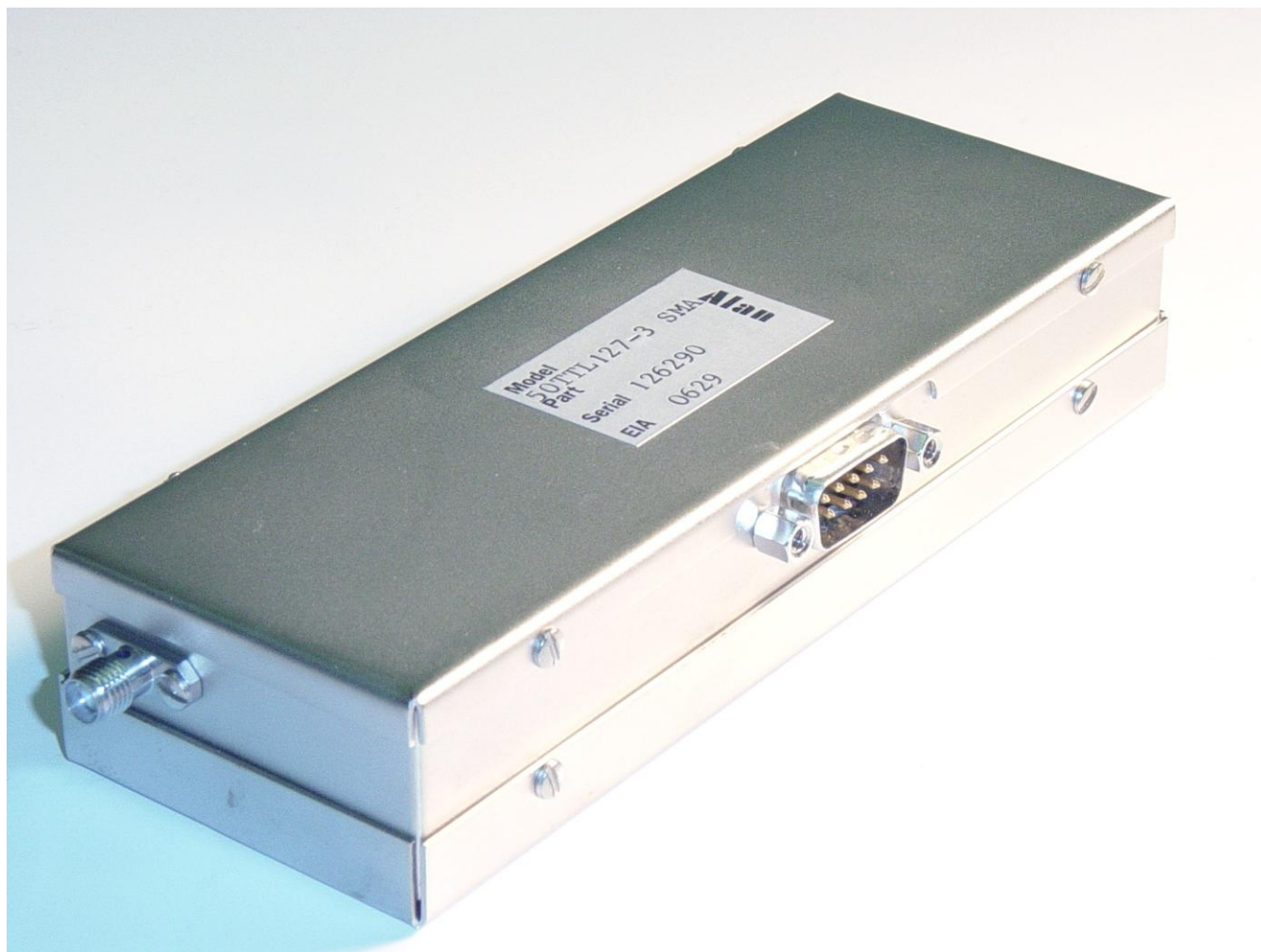




**The Name for
Attenuators**

PROGRAMMABLE ATTENUATORS 3 GHz TTL LOGIC TTL-3 Series

Alan Industries' 50TTL-3 Series of Programmable Attenuators combines an extended frequency range with a direct TTL interface. This series is ideal for ATE testing over the frequency range of DC – 3 GHz with a total attenuation range up to 127 dB. With the TTL Logic circuitry located entirely within the housing, all DC and TTL connections are made via a convenient multipin connector.



Alan

Industries, Inc.

**745 Greenway Drive • Columbus, Indiana 47201 • USA
800-423-5190 or 812-372-8869 • Fax: 812-372-5909
www.alanindustries.com • sales@alanindustries.com**



**The Name for
Attenuators**

TTL-3 Series

ELECTRICAL SPECIFICATIONS

ALAN MODEL	50TTL15-3	50TTL31-3	50TTL63-3	50TTL127-3
ATTENUATION RANGE	0 - 15 dB	0 - 31 dB	0 - 63 dB	0 - 127 dB
ATTENUATION STEPS	1, 2, 4, 8 dB	1, 2, 4, 8, 16 dB	1, 2, 4, 8, 16, 32 dB	1, 2, 4, 8, 16, 32, 64 dB
NUMBER OF BITS	4	5	7	11
OVERALL ACCURACY	± 0.9 dB	± 1.2 dB	± 2.0 dB	± 4.0 dB
INSERTION LOSS (Max.)	2.8 dB	3.5 dB	4.9 dB	7.7 dB
FREQUENCY RANGE	DC – 3 GHz			
IMPEDANCE	50 Ohms			
MAXIMUM VSWR	1.5:1			
AVERAGE POWER	0.5 Watts			
RF CONNECTORS	SMA, BNC, N , TNC			
DC SUPPLY	+12 VDC @ 31 ma per bit			
SWITCHING SPEED	6 msec. maximum			
SWITCH LIFE	10,000,000 selections per bit			
TTL LOGIC	TTL Positive Logic			
RoHS COMPLIANCE	RoHS Compliant upon request			

TO ORDER SPECIFY: Model number as appears above, add connector type For example to order a unit with 63 dB of attenuation range and SMA connectors, order Alan Model 50TTL63-3 SMA.

Alan

Industries, Inc.

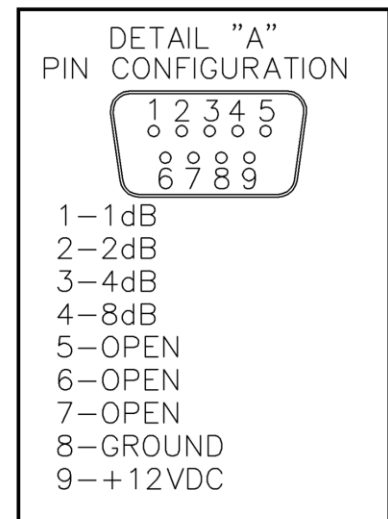
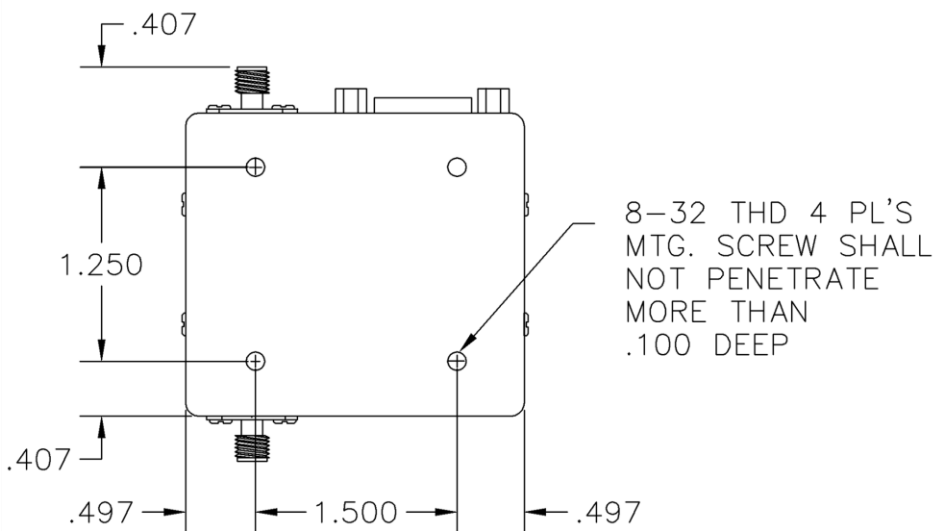
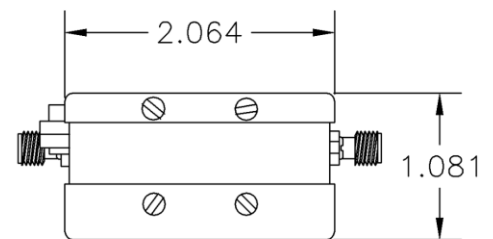
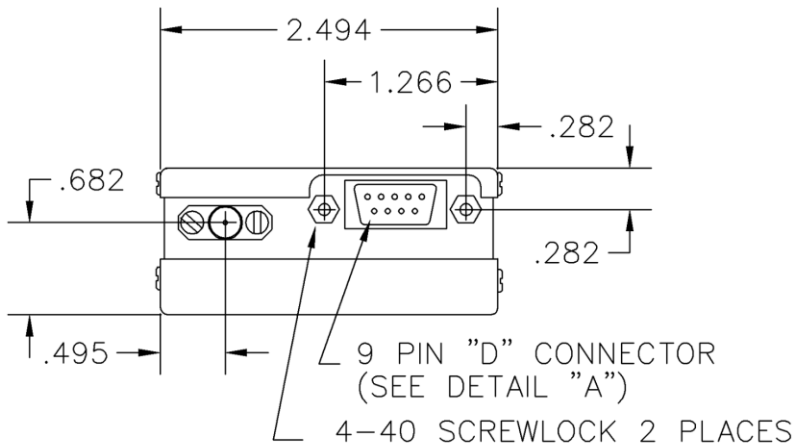
745 Greenway Drive • Columbus, Indiana 47201 • USA
800-423-5190 or 812-372-8869 • Fax: 812-372-5909
www.alanindustries.com • sales@alanindustries.com



**The Name for
Attenuators**

TTL-3 Series

50TTL15-3 PHYSICAL DIMENSIONS



**Alan
Industries, Inc.**

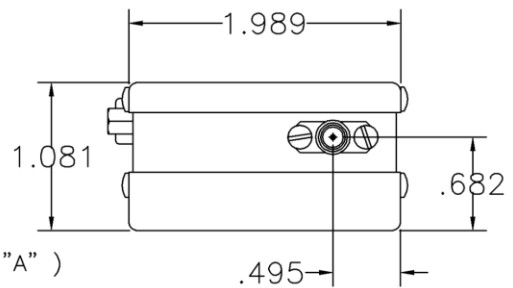
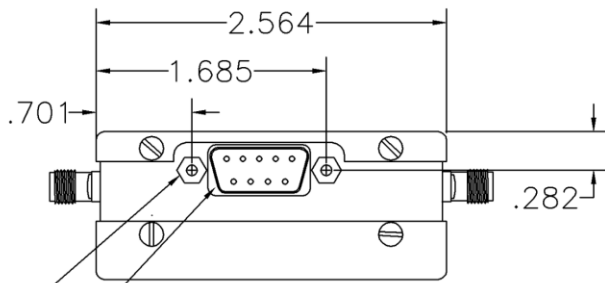
745 Greenway Drive • Columbus, Indiana 47201 • USA
800-423-5190 or 812-372-8869 • Fax: 812-372-5909
www.alanindustries.com • sales@alanindustries.com



The Name for Attenuators

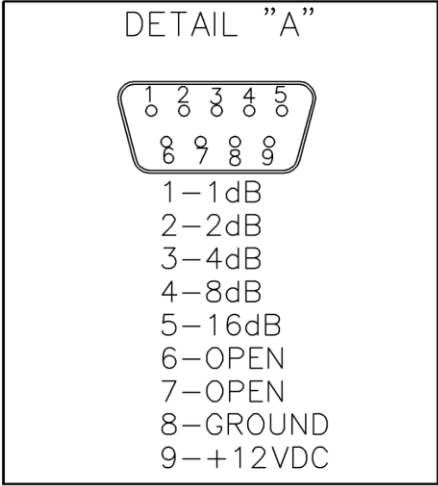
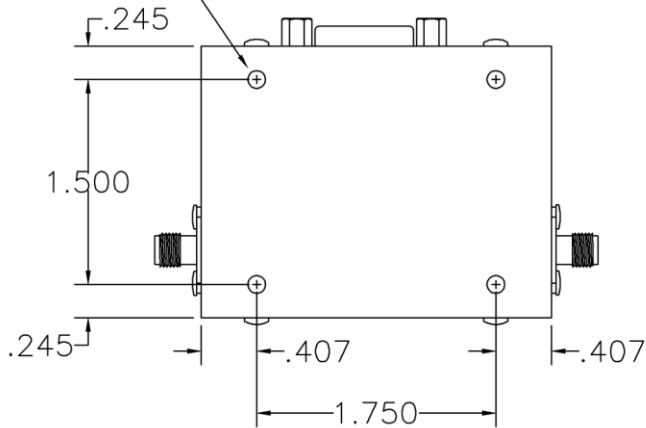
TTL-3 Series

50TTL31-3 PHYSICAL DIMENSIONS



9 PIN "D" CONNECTOR (SEE DETAIL "A")
4-40 SCREWLOCK 2 PLACES

8-32 THD. 4 PLACES, MTG. HOLES SHALL NOT PENETRATE MORE THAN .100 DEEP



Alan
Industries, Inc.

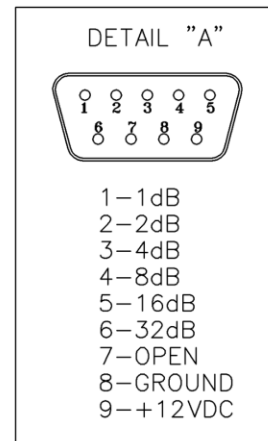
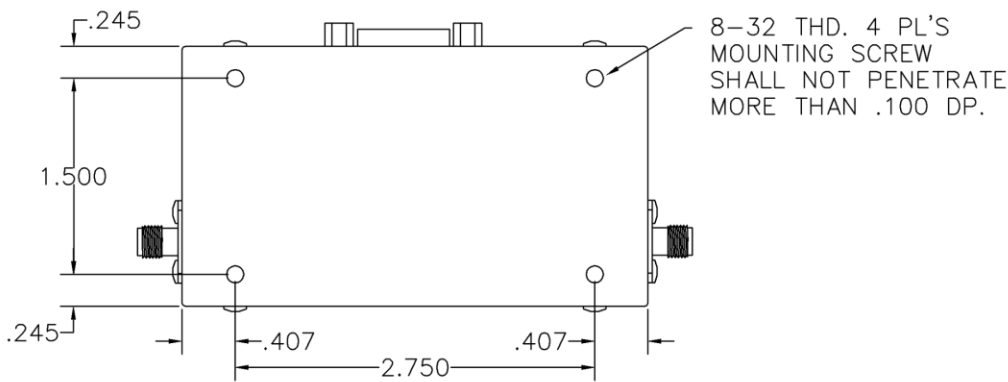
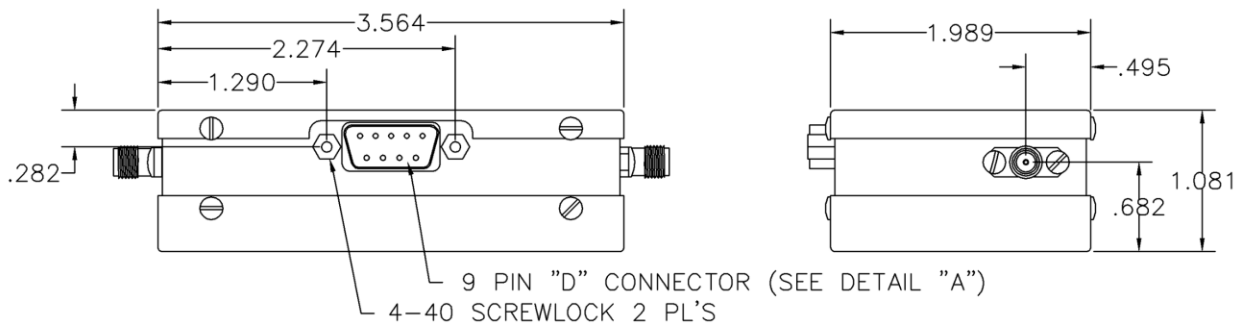
745 Greenway Drive • Columbus, Indiana 47201 • USA
800-423-5190 or 812-372-8869 • Fax: 812-372-5909
www.alanindustries.com • sales@alanindustries.com



The Name for Attenuators

TTL-3 Series

50TTL63-3 PHYSICAL DIMENSIONS



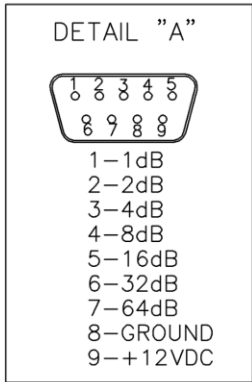
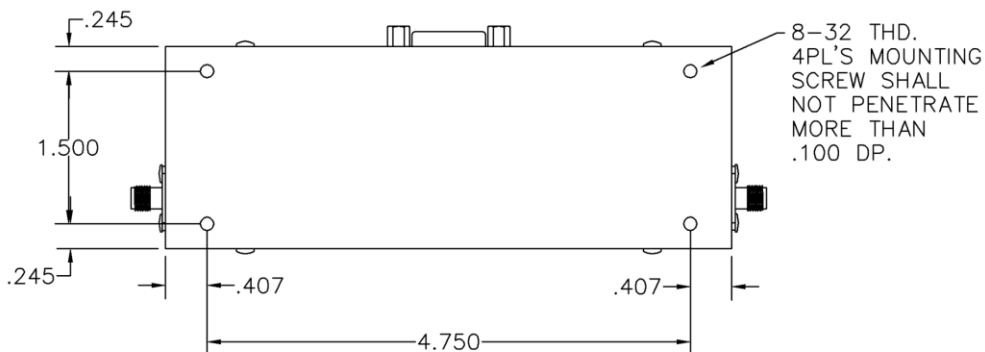
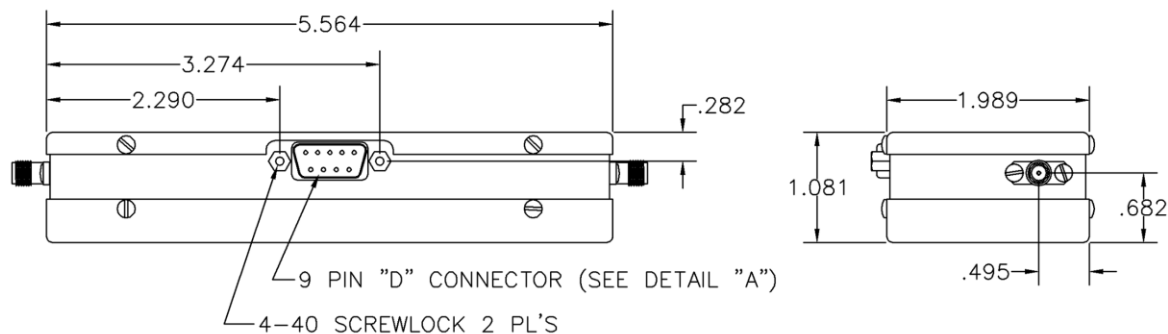
Alan
Industries, Inc.

745 Greenway Drive • Columbus, Indiana 47201 • USA
800-423-5190 or 812-372-8869 • Fax: 812-372-5909
www.alanindustries.com • sales@alanindustries.com



The Name for
Attenuators

50TTL127-3 PHYSICAL DIMENSIONS



Alan
Industries, Inc.

745 Greenway Drive • Columbus, Indiana 47201 • USA
800-423-5190 or 812-372-8869 • Fax: 812-372-5909
www.alanindustries.com • sales@alanindustries.com