



**The Name for
Attenuators**

MINIATURE DUAL CONCENTRIC ATTENUATORS SDV Series

Alan Industries' SDV Series combines the performance characteristics of the large dual concentric models with the unique physical dimensions of the miniature attenuators. Total attenuation ranges of 29, 59, 69, 79, 99 and 109 dB are available in 50 Ohm impedance covering the frequency range of DC - 1 GHz. Each unit is supplied with index stops, knobs and provisions to panel mount the device with two 6-32 UNC screws.



Alan

Industries, Inc.

745 Greenway Drive • Columbus, Indiana 47201 • USA
800-423-5190 or 812-372-8869 • Fax: 812-372-5909
www.alanindustries.com • sales@alanindustries.com



**The Name for
Attenuators**

SDV Series

ELECTRICAL SPECIFICATIONS

MODEL	50SDV29	50SDV59	50SDV69
ATTENUATION RANGE	0 - 29 dB	0 - 59 dB	0 - 69 dB
ATTENUATION STEPS	1 dB		
FREQUENCY RANGE	DC - 1 GHz		
IMPEDANCE	50 Ohm		
ACCURACY			
DC - 0.5 GHz	0 - 9 dB: ± 0.2 dB 10 - 29 dB: ± 0.4 dB	0 - 9 dB: ± 0.2 dB 10 - 59 dB: ± 0.4 dB	0 - 9 dB: ± 0.2 dB 10 - 69 dB: ± 0.5 dB
0.5 – 1 GHz	0 - 9 dB: ± 0.3 dB 10 - 29 dB: ± 0.8 dB	0 - 9 dB: ± 0.3 dB 10 - 59 dB: ± 0.8 dB	0 - 9 dB: ± 0.3 dB 10 - 69 dB: ± 0.8 dB
MAXIMUM SWR	1.3:1		
INSERTION LOSS	0.3 dB max.		
AVERAGE POWER	1 Watt		
TEMPERATURE RANGE	-20° C to +125° C		
CONNECTORS	BNC, TNC, N, SMA, SMB		
PHYSICAL SIZE	TYPE 1	TYPE 2	
MOUNTING	Panel Mount standard Bench-Top bracket optional		
RoHS COMPLIANCE	RoHS Compliant upon request		

Alan

Industries, Inc.

745 Greenway Drive • Columbus, Indiana 47201 • USA
800-423-5190 or 812-372-8869 • Fax: 812-372-5909
www.alanindustries.com • sales@alanindustries.com



**The Name for
Attenuators**

SDV Series

ELECTRICAL SPECIFICATIONS

MODEL	50SDV79	50SDV99	50SDV109
ATTENUATION RANGE	0 - 79 dB	0 - 99 dB	0 - 109 dB
ATTENUATION STEPS	1 dB		
FREQUENCY RANGE	DC - 1 GHz		
IMPEDANCE	50 Ohm		
ACCURACY			
DC - 0.5 GHz	0 - 9 dB: ± 0.2 dB 10 - 79 dB: ± 0.5 dB	0 - 9 dB: ± 0.2 dB 10 - 99 dB: ± 0.8 dB	± 0.3 dB or 1 %
0.5 - 1 GHz	0 - 9 dB: ± 0.3 dB 10 - 79 dB: ± 1.0 dB	0 - 9 dB: ± 0.3 dB 10 - 99 dB: ± 1.5 dB	± 0.3 dB or 2 %
MAXIMUM SWR	1.3:1		1.4:1
INSERTION LOSS	0.3 dB		
AVERAGE POWER	1 Watt		
TEMPERATURE RANGE	-20° C to +125° C		
CONNECTORS	BNC, TNC, N, SMA, SMB		
PHYSICAL SIZE	TYPE 2		
MOUNTING	Panel Mount standard Bench-Top bracket optional		
RoHS COMPLIANCE	RoHS Compliant upon request		

TO ORDER SPECIFY: Impedance, Category (SDV), Total Attenuation Range, and Connector, add -BT for Bench-Top bracket. For example to order a 50 Ohm unit with total attenuation of 69 dB with SMA connectors order Alan Model 50SV69 SMA.

Alan

Industries, Inc.

745 Greenway Drive • Columbus, Indiana 47201 • USA
800-423-5190 or 812-372-8869 • Fax: 812-372-5909
www.alanindustries.com • sales@alanindustries.com

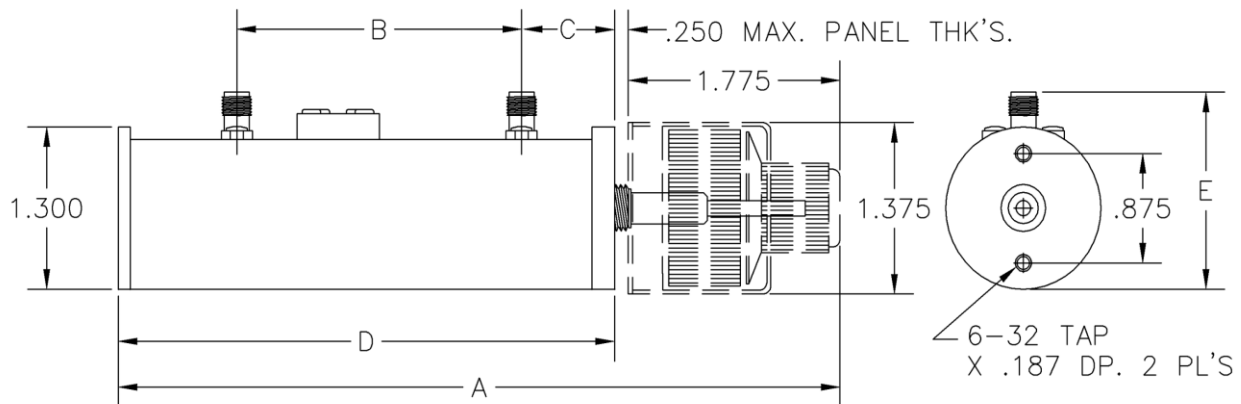


**The Name for
Attenuators**

SDV Series

PHYSICAL DIMENSIONS

	TYPE 1			TYPE 2	
A	5.4 Max.			6.181 Max.	
B	1.687			2.385	
C	0.688			0.778	
D	3.375			4.156	
	BNC	SMA	SMB	TNC	N
E	2.138	1.575	1.570	2.138	2.388



Alan

Industries, Inc.

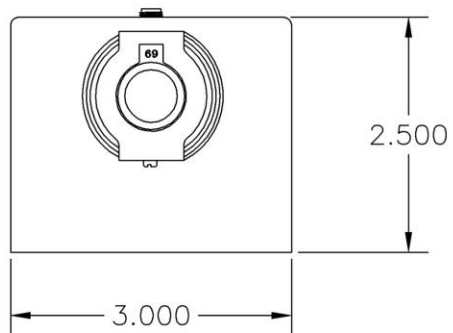
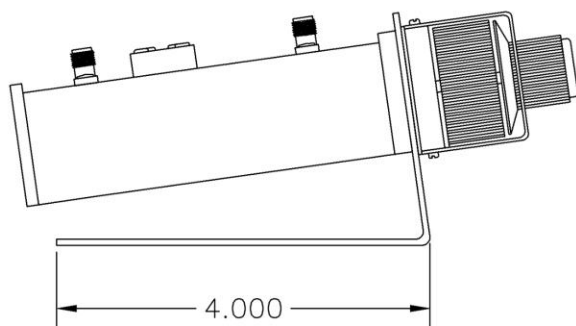
745 Greenway Drive • Columbus, Indiana 47201 • USA
 800-423-5190 or 812-372-8869 • Fax: 812-372-5909
 www.alanindustries.com • sales@alanindustries.com



**The Name for
Attenuators**

SDV Series

BENCH –TOP BRACKET OPTION



Alan

Industries, Inc.

745 Greenway Drive • Columbus, Indiana 47201 • USA
800-423-5190 or 812-372-8869 • Fax: 812-372-5909
www.alanindustries.com • sales@alanindustries.com