



**The Name for
Attenuators**

CAM ACTUATED ATTENUATORS CV Series

Alan Industries' precision Cam Actuated Attenuators cover the frequency of DC - 1000 MHz and provide attenuation as high as 130 dB in 10 dB steps. Excellent accuracy and low SWR result from precision resistive elements. This series was designed with flexibility. Special units requiring different frequency ranges and different attenuation steps may be supplied upon request. Attenuation increases in a counter-clockwise direction with index stops and a 25.7 degree rotation angle between steps.



Alan

Industries, Inc.

745 Greenway Drive • Columbus, Indiana 47201 • USA
800-423-5190 or 812-372-8869 • Fax: 812-372-5909
www.alanindustries.com • sales@alanindustries.com



**The Name for
Attenuators**

CV Series

ELECTRICAL SPECIFICATIONS

MODEL	50CV120	50CV130
ATTENUATION RANGE	0 - 120 dB	0 - 130 dB
ATTENUATION STEPS	10 dB	
FREQUENCY RANGE	DC - 1000 MHz	
IMPEDANCE	50 Ohm	
ACCURACY	± 0.5 dB or 2%	
MAXIMUM SWR	1.5:1	
INSERTION LOSS	1.0 dB max.	
AVERAGE POWER	1 Watt	
TEMPERATURE RANGE	-20° C to +125° C	
CONNECTORS	BNC, N, SMA, TNC	
MOUNTING	Panel Mount standard Bench-Top bracket optional	
RoHS COMPLIANCE	RoHS Compliant upon request	

TO ORDER SPECIFY: Impedance, Category (CV), Total Attenuation Range, and Connector, add -BT for Bench-Top bracket. For example, to order a 50 Ohm unit with total attenuation of 120 dB and SMA connectors, order Alan Model 50CV120 SMA.

Alan

Industries, Inc.

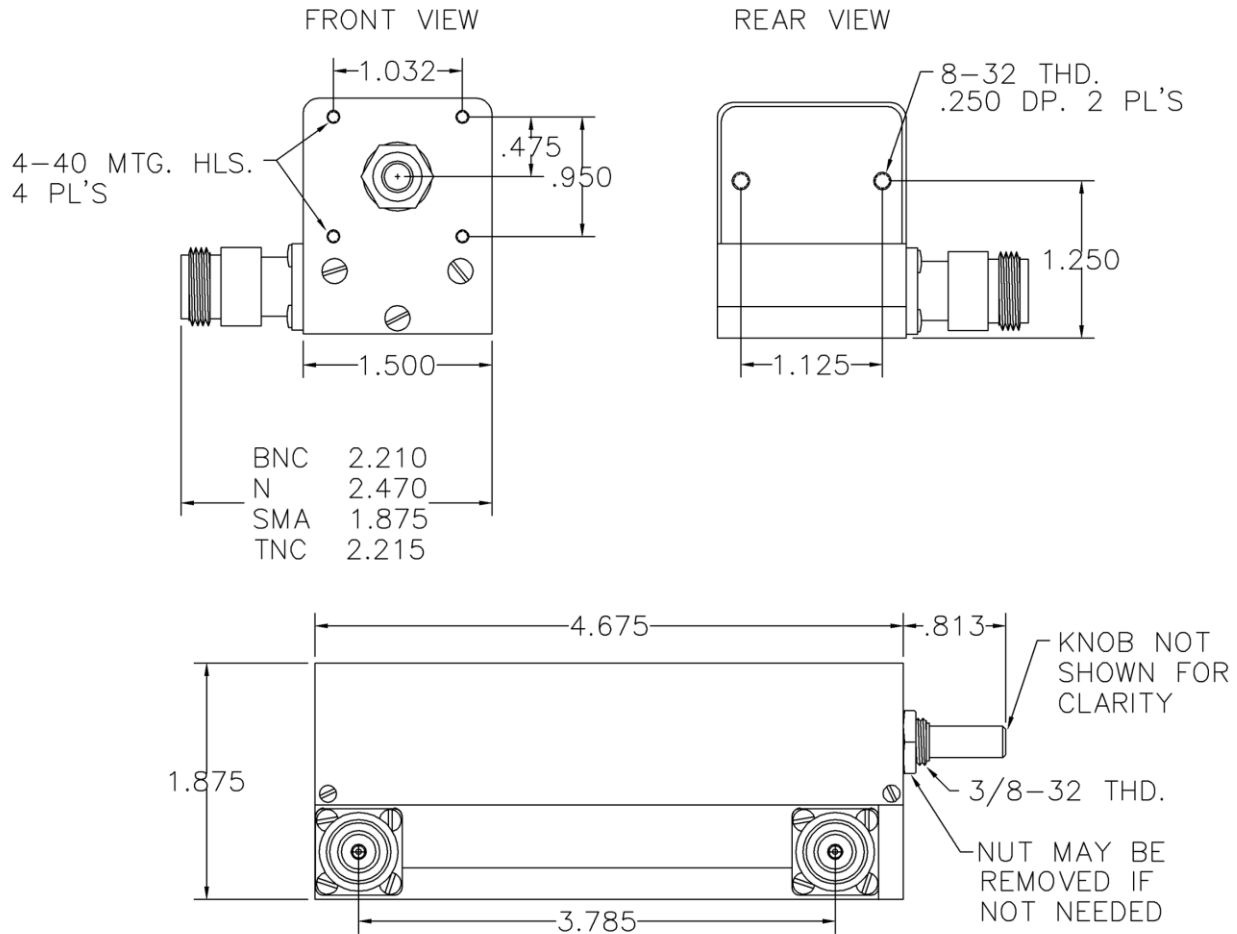
**745 Greenway Drive • Columbus, Indiana 47201 • USA
800-423-5190 or 812-372-8869 • Fax: 812-372-5909
www.alanindustries.com • sales@alanindustries.com**



The Name for Attenuators

CV Series

PHYSICAL DIMENSIONS



Alan

Industries, Inc.

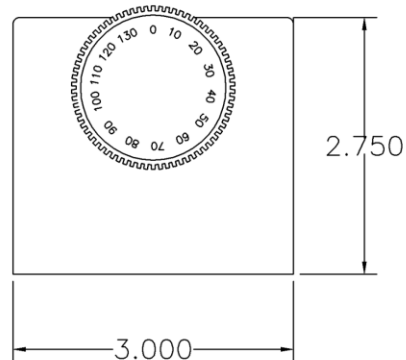
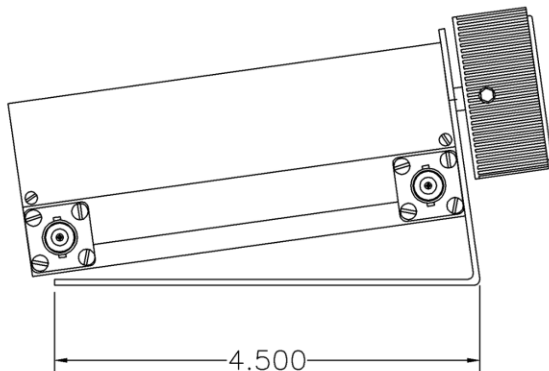
745 Greenway Drive • Columbus, Indiana 47201 • USA
800-423-5190 or 812-372-8869 • Fax: 812-372-5909
www.alanindustries.com • sales@alanindustries.com



**The Name for
Attenuators**

CV Series

BENCH-TOP BRACKET OPTION



Alan

Industries, Inc.

**745 Greenway Drive • Columbus, Indiana 47201 • USA
800-423-5190 or 812-372-8869 • Fax: 812-372-5909
www.alanindustries.com • sales@alanindustries.com**