



**The Name for
Attenuators**

LABORATORY ATTENUATORS LA Series

Designed for Bench-Top use with direct reading dials, the Alan Industries' LA Series is available in 50 or 75 Ohm impedance.



Alan

Industries, Inc.

745 Greenway Drive • Columbus, Indiana 47201 • USA
800-423-5190 or 812-372-8869 • Fax: 812-372-5909
www.alanindustries.com • sales@alanindustries.com



**The Name for
Attenuators**

LA Series

ELECTRICAL SPECIFICATIONS

MODEL	50LA10.9	50LA79	50LA99
ATTENUATION RANGE	0 - 10.9 dB	0 - 79 dB	0 - 99dB
FREQUENCY RANGE	DC - 500 MHz	DC - 1.5 GHz	DC - 1 GHz
IMPEDANCE	50 Ohm		
ACCURACY	0 - 0.9 dB: ± 0.03 dB 1.0 - 10.9 dB: ± 0.10 dB	0 - 9 dB: ± 0.4 dB 10 - 79 dB: ± 1.5 dB	0 - 9 dB: ± 0.3 dB 10 - 99 dB: ± 1.5 dB
SWR MAX.	1.2:1	1.5:1	
INSERTION LOSS MAX.	1.0 dB	1.5 dB	1.0 dB
AVERAGE POWER	1 Watt	0.5 Watt	
CONNECTORS	BNC, N, SMA		
RoHS COMPLIANCE	RoHS Compliant upon request		

MODEL	50LA109	75LA49
ATTENUATION RANGE	0 - 109 dB	0 - 49 dB
FREQUENCY RANGE	DC - 1 GHz	DC - 1 GHz
IMPEDANCE	50 Ohm	75 Ohm
ACCURACY	0 - 9 dB: ± 0.3 dB 10 - 109 dB: ± 2.0 dB	0 - 9 dB: ± 0.4 dB 10 - 49 dB: ± 1.5 dB
SWR MAX.	1.5:1	1.5:1
INSERTION LOSS MAX.	1.5 dB	1.5 dB
AVERAGE POWER	0.5 Watt	0.5 Watt
CONNECTORS	BNC, N, SMA	BNC, F, N
RoHS COMPLIANCE	RoHS Compliant upon request	

Alan

Industries, Inc.

745 Greenway Drive • Columbus, Indiana 47201 • USA
800-423-5190 or 812-372-8869 • Fax: 812-372-5909
www.alanindustries.com • sales@alanindustries.com

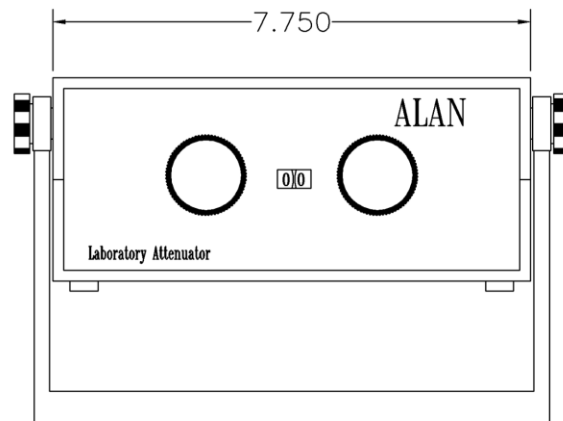
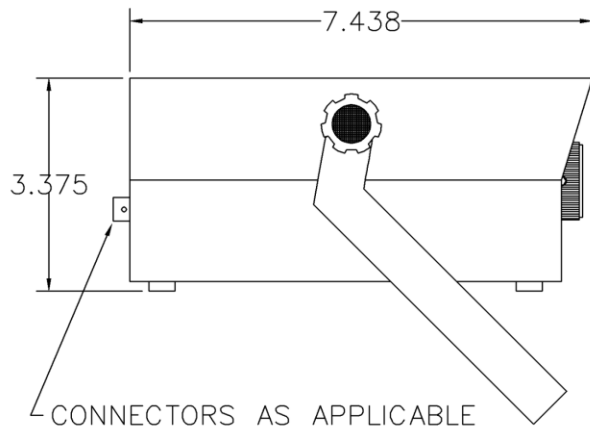


**The Name for
Attenuators**

LA Series

TO ORDER SPECIFY: Impedance, category (LA), total attenuation range, and connector.
For example, to order a 50 Ohm unit with total attenuation of 99 dB and BNC connectors,
order Alan Model 50LA99 BNC.

PHYSICAL DIMENSIONS



Alan

Industries, Inc.

745 Greenway Drive • Columbus, Indiana 47201 • USA
800-423-5190 or 812-372-8869 • Fax: 812-372-5909
www.alanindustries.com • sales@alanindustries.com