



**The Name for  
Attenuators**

## **MINIATURE STEP ATTENUATORS SV Series**

Alan Industries' SV Series is a Miniature Attenuator with up to 100 dB of total attenuation covering the frequency range of DC - 1.5 GHz. These units are supplied with index stops, knobs and provisions for panel mounting.



**Alan**

Industries, Inc.

745 Greenway Drive • Columbus, Indiana 47201 • USA  
800-423-5190 or 812-372-8869 • Fax: 812-372-5909  
www.alanindustries.com • sales@alanindustries.com



**The Name for  
Attenuators**

**SV Series**

## **50 OHM ELECTRICAL SPECIFICATIONS**

<b>MODEL</b>	<b>50SV10</b>	<b>50SV60</b>	<b>50SV70</b>	<b>50SV100</b>
ATTENUATION RANGE	0 - 10 dB	0 - 60 dB	0 - 70 dB	0 - 100 dB
ATTENUATION STEPS	1 dB	10 dB		
FREQUENCY RANGE	DC - 1.5 GHz			DC - 1 GHz
IMPEDANCE	50 Ohm			
ACCURACY	± 0.3 dB	± 0.75 dB		± 0.3 dB or 2 %
MAXIMUM SWR	DC - 1 GHz: 1.2:1			1.3:1
	1 - 1.5 GHz: 1.4:1			N/A
INSERTION LOSS MAX.	0.2 dB	0.3 dB		
AVERAGE POWER	1 Watt			
TEMPERATURE RANGE	-20° C to +125° C			
CONNECTORS	BNC, N*, SMA, SMB, SMC, TNC			
MOUNTING	Panel Mount standard Bench-Top bracket optional			
<b>RoHS COMPLIANCE</b>	<b>RoHS Compliant upon request</b>			

**\* N connector not available on Alan Model 50SV10**

**Alan**

**Industries, Inc.**

**745 Greenway Drive • Columbus, Indiana 47201 • USA  
800-423-5190 or 812-372-8869 • Fax: 812-372-5909  
www.alanindustries.com • sales@alanindustries.com**



**The Name for  
Attenuators**

**SV Series**

## **75 OHM ELECTRICAL SPECIFICATIONS**

<b>MODEL</b>	<b>75SV10</b>	<b>75SV60</b>	<b>75SV70</b>
ATTENUATION RANGE	0 - 10 dB	0 - 60 dB	0 - 70 dB
ATTENUATION STEPS	1 dB	10 dB	
FREQUENCY RANGE	DC - 1 GHz		
IMPEDANCE	75 Ohm		
ACCURACY	± 0.3 dB	± 0.75 dB	
MAXIMUM SWR	1.4:1		
INSERTION LOSS MAX.	0.3 dB	0.4 dB	
AVERAGE POWER	1 Watt		
TEMPERATURE RANGE	-20° C to +125° C		
CONNECTORS	BNC, F, SMB, SMC		
MOUNTING	Panel Mount standard Bench-Top bracket optional		
<b>RoHS COMPLIANCE</b>	<b>RoHS Compliant upon request</b>		

**TO ORDER SPECIFY:** Impedance, Category (SV), Total Attenuation Range, and Connector, add -BT for Bench-Top bracket. For example, to order a 50 Ohm unit with total attenuation of 60 dB with SMA connectors, order Alan Model 50SV60 SMA.

**Alan**

**Industries, Inc.**

**745 Greenway Drive • Columbus, Indiana 47201 • USA  
800-423-5190 or 812-372-8869 • Fax: 812-372-5909  
www.alanindustries.com • sales@alanindustries.com**

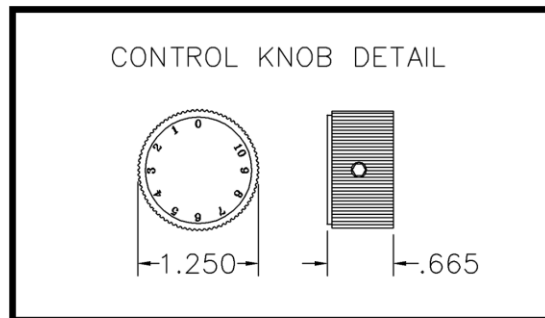
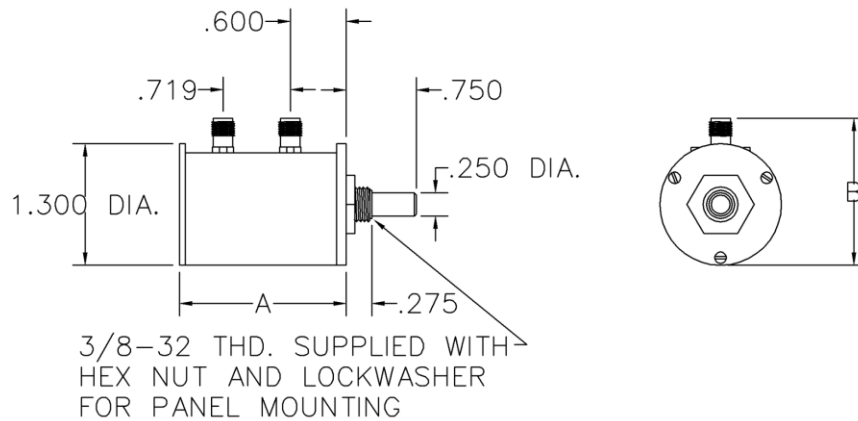


**The Name for  
Attenuators**

**SV Series**

## PHYSICAL DIMENSIONS 0-10 dB UNITS

CONNECTOR	A	B
BNC	1.783	2.138
SMA	1.627	1.575
SMB	1.627	1.575
SMC	1.627	1.575
TNC	1.783	2.138
N	N/A	N/A



**Alan**  
Industries, Inc.

745 Greenway Drive • Columbus, Indiana 47201 • USA  
800-423-5190 or 812-372-8869 • Fax: 812-372-5909  
www.alanindustries.com • sales@alanindustries.com

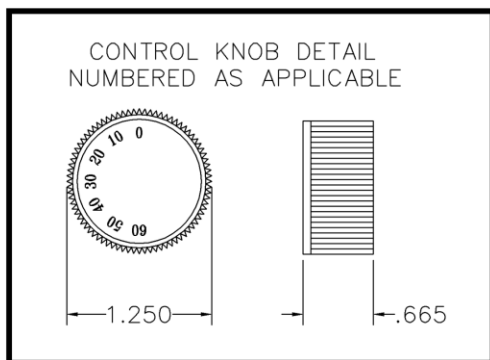
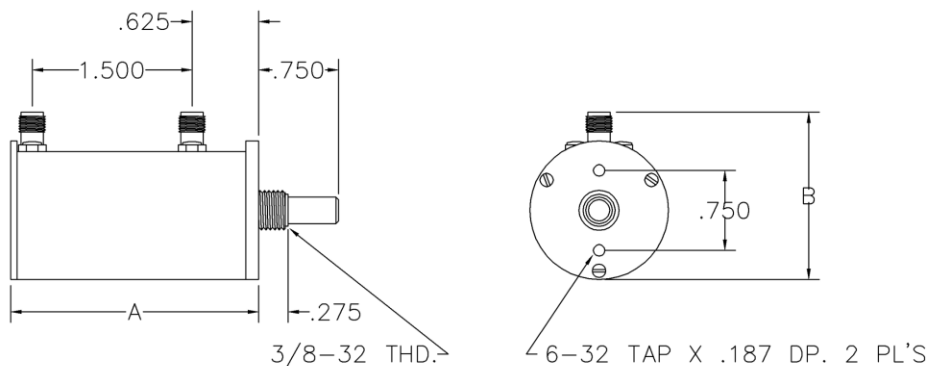


**The Name for  
Attenuators**

**SV Series**

**PHYSICAL DIMENSIONS  
0-60 dB, 0-70 dB, 0-100 dB UNITS**

CONNECTOR	A	B
BNC	2.664	2.138
SMA	2.328	1.575
SMB	2.328	1.575
SMC	2.328	1.575
TNC	2.664	2.318
N	2.664	2.388



**Alan**

**Industries, Inc.**

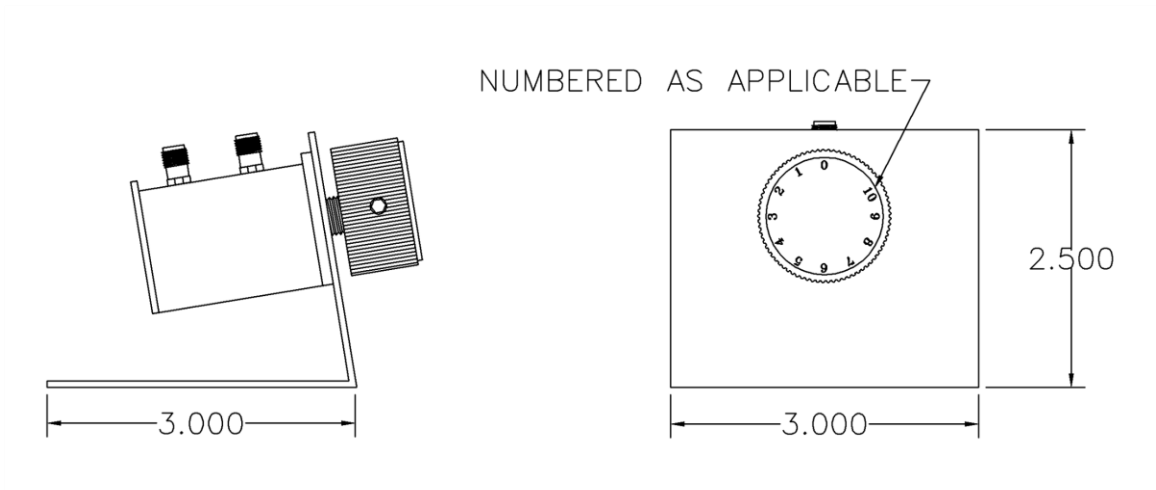
745 Greenway Drive • Columbus, Indiana 47201 • USA  
800-423-5190 or 812-372-8869 • Fax: 812-372-5909  
www.alanindustries.com • sales@alanindustries.com



**The Name for  
Attenuators**

**SV Series**

## **BENCH –TOP BRACKET OPTION**



**Alan**

Industries, Inc.

745 Greenway Drive • Columbus, Indiana 47201 • USA  
800-423-5190 or 812-372-8869 • Fax: 812-372-5909  
www.alanindustries.com • sales@alanindustries.com