



**The Name for  
Attenuators**

## **TERMINATIONS AND LOADS**

### **25, 50 Watts**

### **HFT Series**

Alan Industries' HFT Series offers a wide frequency range of DC – 18 GHz and average power ratings of 25 or 50 watts. Standard connector options are N or SMA Male.



# **Alan**

**Industries, Inc.**

**745 Greenway Drive • Columbus, Indiana 47201 • USA**  
**800-423-5190 or 812-372-8869 • Fax: 812-372-5909**  
**www.alanindustries.com • sales@alanindustries.com**



The Name for Attenuators

# 25, 50 Watt HFT Series

## ELECTRICAL SPECIFICATIONS

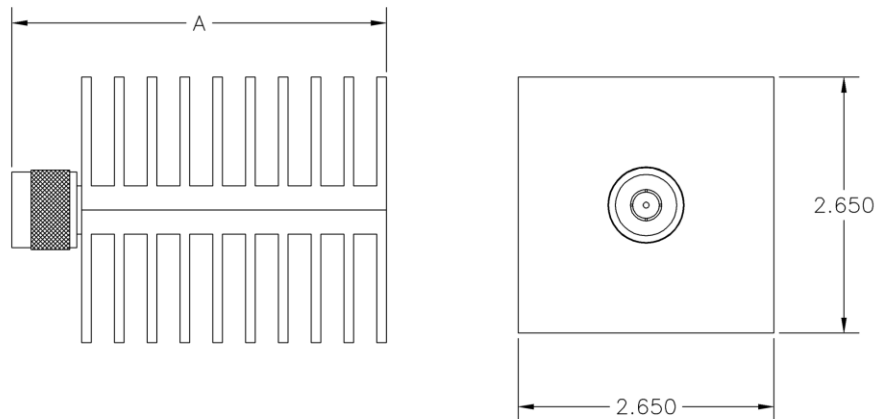
MODEL	50HFT18-25	50HFT18-50
FREQUENCY RANGE	DC – 18 GHz	
IMPEDANCE	50 Ohm	
MAXIMUM SWR	1.25:1	
AVERAGE POWER	25 Watts	50 Watts
TEMPERATURE RANGE	-20° C to +85° C	
CONNECTOR	N or SMA Male	
<b>RoHS COMPLIANCE</b>	<b>RoHS Compliant upon request</b>	

**TO ORDER SPECIFY:** Impedance, Category (HFT18), Average Power and Connector. For example, to order a 50 Ohm unit with 25 Watts Average Power and SMA Male Connector, order Alan Model 50HFT18-25 SMA

## PHYSICAL DIMENSIONS

### 25 WATT

CONNECTOR	A
N Male	3.735
SMA Male	3.485



# Alan

Industries, Inc.

745 Greenway Drive • Columbus, Indiana 47201 • USA  
800-423-5190 or 812-372-8869 • Fax: 812-372-5909  
www.alanindustries.com • sales@alanindustries.com



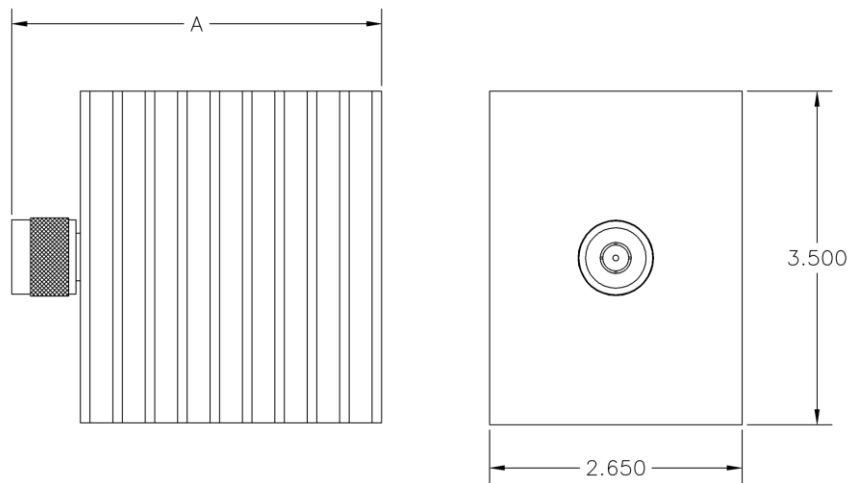
**The Name for  
Attenuators**

## 25, 50 Watt HFT Series

### PHYSICAL DIMENSIONS

#### 50 WATT

CONNECTOR	A
N Male	3.735
SMA Male	3.485



**Alan**

Industries, Inc.

745 Greenway Drive • Columbus, Indiana 47201 • USA  
800-423-5190 or 812-372-8869 • Fax: 812-372-5909  
www.alanindustries.com • sales@alanindustries.com