



**The Name for
Attenuators**

TERMINATIONS & LOADS 7/16 TERMINATION SERIES

Alan Industries' 7/16 Series of Terminations provide average power from 0.5 Watts – 100 Watts with 7/16 connectors.



Alan

Industries, Inc.

745 Greenway Drive • Columbus, Indiana 47201 • USA
800-423-5190 or 812-372-8869 • Fax: 812-372-5909
www.alanindustries.com • sales@alanindustries.com



**The Name for
Attenuators**

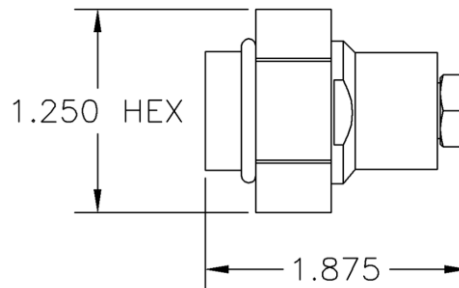
7/16 Termination Series

ELECTRICAL SPECIFICATIONS

MODEL	50T	50LH10	50LH25	50LH50	50LH100
FREQUENCY RANGE	DC - 3 GHz	DC - 1.5 GHz		DC - 2 GHz	
MAXIMUM SWR	1.2:1	1.15:1		1.25:1	
AVERAGE POWER	0.5 Watts	10 Watts	25 Watts	50 Watts	100 Watts
TEMPERATURE RANGE	-25°C to +85°C				
IMPEDANCE	50 Ohms				
CONNECTOR	Male is standard, Female available upon request				
RoHS COMPLIANCE	RoHS Compliant upon request				

TO ORDER SPECIFY: Impedance, Category (T or LH), Average Power Rating and Connector type. For example to order a 50 Ohm unit with 10 Watts of Average Power and 7/16 connectors, order Alan Model 50LH10 7/16.

50T 7/16 PHYSICAL DIMENSIONS



Alan

Industries, Inc.

745 Greenway Drive • Columbus, Indiana 47201 • USA
800-423-5190 or 812-372-8869 • Fax: 812-372-5909
www.alanindustries.com • sales@alanindustries.com

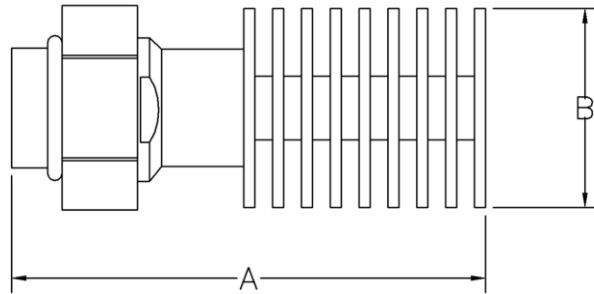


**The Name for
Attenuators**

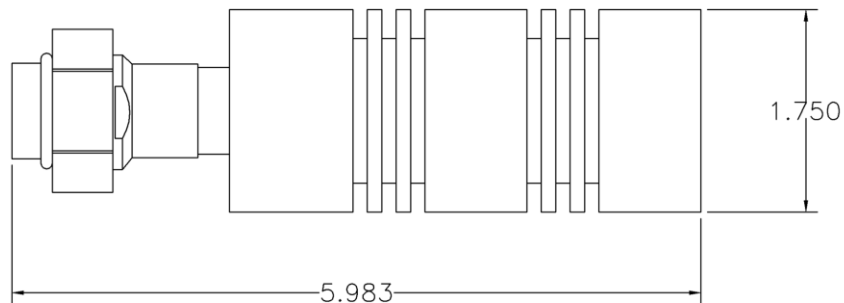
7/16 Termination Series

50LH10 7/16 & 50LH25 7/16 PHYSICAL DIMENSIONS

DIMENSION	50LH10 7/16	50LH25 7/16
A	3.355	5.017
B	1.375	1.500



50LH50 7/16 PHYSICAL DIMENSIONS



Alan

Industries, Inc.

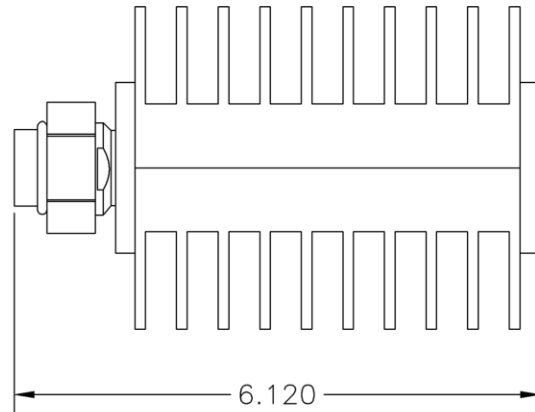
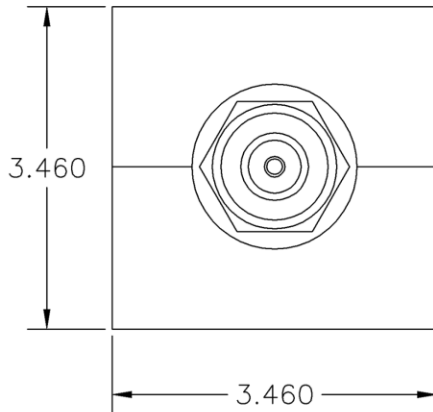
745 Greenway Drive • Columbus, Indiana 47201 • USA
800-423-5190 or 812-372-8869 • Fax: 812-372-5909
www.alanindustries.com • sales@alanindustries.com



**The Name for
Attenuators**

7/16 Termination Series

50LH-100 7/16 PHYSICAL DIMENSIONS



Alan

Industries, Inc.

745 Greenway Drive • Columbus, Indiana 47201 • USA
800-423-5190 or 812-372-8869 • Fax: 812-372-5909
www.alanindustries.com • sales@alanindustries.com